

CLAIR LIGHTING MINI STRATOS 7X40W

User's Manual



- 1 . Precautions for products.....
- 2 .maintenance.....
- 3 .statement.....
- 4 .technical parameter.....
- 5 .three-dimensional size.....
- 6 . Levels.....
- 7 . Menu function.....
- 8 .function button.....
- 9 .channel table.....
- 10 . Product warranty card.....

First of all, thank you! We have purchased the new, stable and durable LED lamps in the current market. Before the market, our company has developed, analyzed and designed this product for many years, and passed comprehensive quality control in the production process to ensure the excellent quality and stability of the product. So feel free to use; before using the lamp, please read the instructions carefully containing important information such as safety instructions and maintenance; and

teach you how to maximize the effect of the lamp. Each of our lamps was rigorously tested before shipment. Please check the carton or air box before unpacking for packaging damage during transportation. If any damage is found, please check your lamps and accessories for abnormalities. If the lights are damaged or accessories are lost, please contact your dealer.

- After unpacking, the accessories for each lamp shall be:
- | | |
|-------------------------------------|----------------|
| 2 . Insurance | a |
| 1 . One power cord | 4 rope |
| 2 . A three-core signal line is one | 4 instructions |
| 5 . Two suspension Bridges | 6 a copy |
| | 6 a sheet |
| | 6 certificate |

For optional accessories such as air boxes and light hooks, please contact your dealer

Precautions for products

1. In order to ensure the service life of the product, this product should not be placed in a wet or leaky place. The highest working environment temperature should not exceed 40° , and the lowest temperature should not be lower than-5°
2. Do not place the product in a place that is easy to loosen or vibrate.
3. In order to avoid the danger of electric shock, please ask professionals for the maintenance of this product.
4. When the lamps are used, the change of the power supply voltage shall not exceed $\pm 10\%$.
5. The lamps are designed according to the type of electric shock protection, and the lamps should be connected with the power supply system with full grounding. And the earth line of the lamps must be connected with the earth line of the power supply system, and the earth sign of the metal shell of the lamps should be safely connected with the installation of the lamp frame.
6. please do not look at the light source, its damage to the eye omentum may lead to visual blindness
7. Check whether the voltage, frequency and other electrical data of the power supply line of the lamps are consistent with the voltage and frequency parameters marked by the lamps, so as to avoid voltage inconsistency and burn out the lamps.

maintenance

1. The lamp should be kept dry to avoid working in a wet environment.
2. the use of flash will effectively extend the life of the lamp.

3. In order to obtain good ventilation effect and lighting effect, attention should be paid to the frequent cleaning of fans, fan nets and lenses. Do not wipe the shell of lamps with organic solution such as sprinkling essence to avoid damage.

statement

This product in the factory, the performance is intact, complete packaging. All users shall strictly comply with the warnings and operating instructions stated above, any damage caused by misuse is not covered by the Company's warranty and the faults and problems caused by the neglect of the operating manual

Note: Based on our policy of continuous product improvement, the data contained in this specification may change in the future and no further notice will be given. The Company reserves the right to change the relevant specification data during the product improvement.

The publisher of this package insert will not bear any responsibility for the related consequences arising as a result of this information.

technical parameter

source

Input voltage: AC90-260V, 50 / 60Hz

Complete machine power: 350W

illuminant

Light bead: Osram 40W LED light bead RGBW four in one

Number of lamp beads: 7 LED can be a single monochrome point control

Pearl life: 50,000 hours

Color temperature is 2500K-9000K

effect

Zoom range: 4-60°, 18000lux@5m@ minimum Angle

With dyeing, beam, graphics, special effects

The front mirror plate can be bidirectional fast / slow infinite rotation

With the vortex, kaleidoscope, small pretty waist and other classic effect

Built-in rich effect program

40100% linear dimming modes

2 color-switching modes (RGBW / CMY)

Strobe slowest: 1 time / second, fastest: 25 times / second

control model

Rotation angle of the XY axis: 540 / 270°

Control mode: DMX512 / RDM /

DMX, channel number: 21 / 35 / 78 / 92 / 97

DMX signal interface: 3-core optional network port input and output

Net weight: 22kg

Carton packaging (1 pack 1):

size:

tare:

Air packing (1 pack 2):

size:

tare:

Lighting installation

Note: During the installation test, pedestrians should not pass under the lamp.

In the light fixtures

Before positioning and installation, ensure that the installation point (object) is at least able to withstand the weight of the product

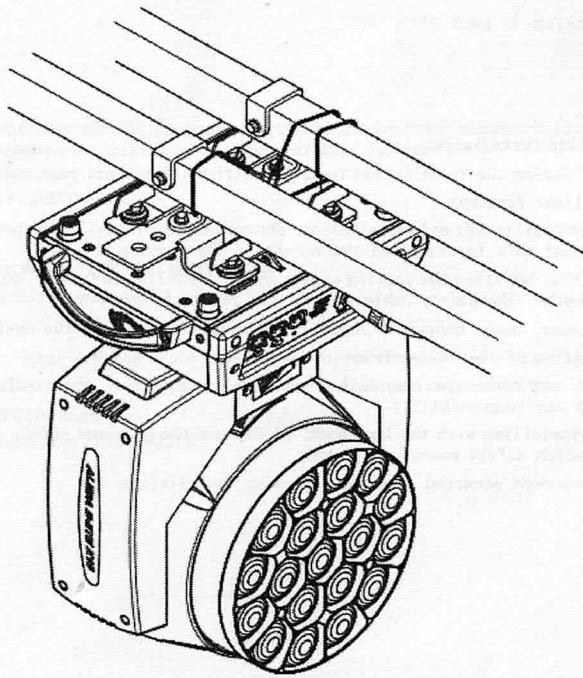
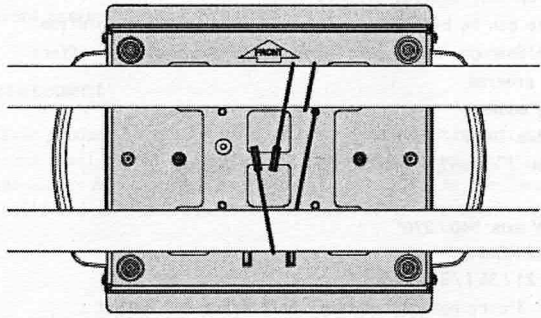
More than ten times the bearing capacity. The installed lamps and lanterns should check whether the safety cable is sent out regularly every week

Now wear, hook, hanger is loose. This happens because of the unstable installation of the bridge frame

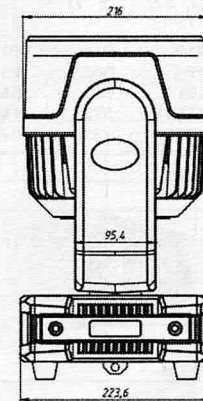
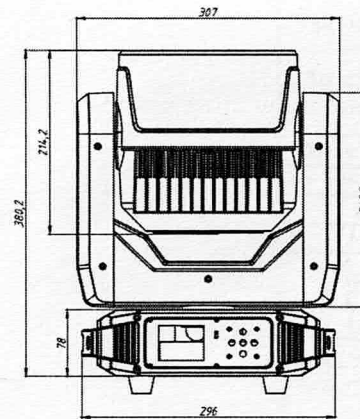
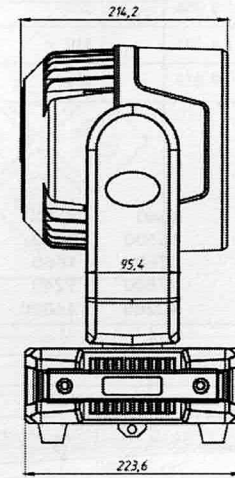
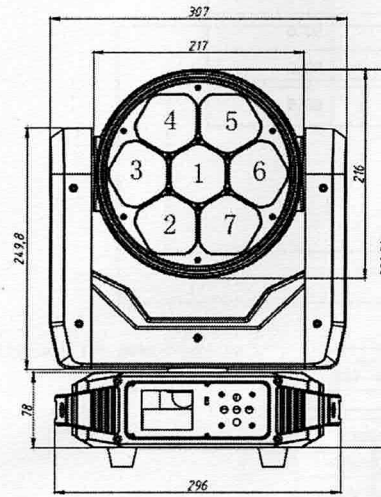
Solid, and cause the lamp fall of all the consequences, the manufacturer does not bear any responsibility.

When installing with the lamp hook, please use the previous safety cable as the installation safety measure to avoid

The accident occurred. See the following installation



3 D size diagram

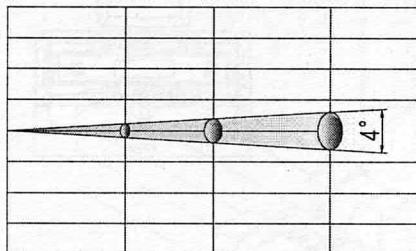


electrical parameter

voltage (V)	current (A)	power (W)	Power factor (PF)	Frequency (HZ)
240.0	3.956	320	0.969	50.0
220.3	4.271	310	0.968	50.0
120.6	7.819	350	1.000	60.0

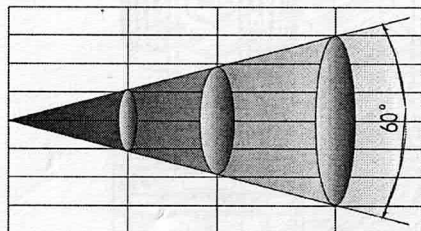
Levels

R (Lux)	8640	3240	996
G (Lux)	15600	5160	1560
B (Lux)	5760	1560	360
W (Lux)	27600	9240	2640
RGBW (Lux)	43200	16800	5280



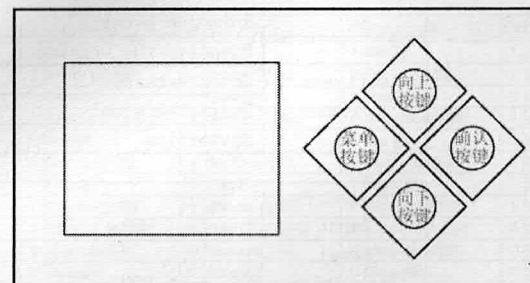
投射距离 (M)	3	5	10
光斑直径 (M)	0.46	1.0	2.0

R (Lux)	310	216	60
G (Lux)	594	360	96
B (Lux)	151	96	36
W (Lux)	1164	672	444
RGBW (Lux)	2701	1320	276



投射距离 (M)	3	5	10
光斑直径 (M)	2.1	3.2	5.6

Display the function diagram of the panel keys



Displays the menu function

Address setting	001 - 512	
Lighting setting	channel pattern	21CH /35CH/42CH/49CH /63CH
	running mode	DMX / go
	Horizontal reversal	On / off
	Vertical reversal	On / off
	Fan control	Silent / low / medium / high speed
	The dimming curve	Linear / backfinger curve / forward finger curve / S curve
	Quick light	On / off
No DMX status	Clear-up / hold	
manual control	red	000 - 255
	Red fine tuning	000 - 255
	green	
	Green fine-tuning	
.....	
temporal information	available machine time	
	total time	
	Boot number	

primary menu

Lighting information	Sensing detection	Horizontal sensing
		Vertical sensing
software release		Focal sensing
		Rotation sensing
		Displays the version
		Motor version
		Tuning version
		netversion

Factory setting	Password input level	000 - 255
	correction	000 - 255
	Vertical correction	000 - 255
	Amplification correction	000 - 255
	Amplification rotation	000 - 255
	Red correction	000 - 255

Lamps reset	Motor reset	Execute / cancel
	Factory setting	Execute / cancel

Display settings	Language setting	The Chinese / English language
	Displays the reversal	Normal / reversed
	Display mode	30s / bright

The DMX address setting

Address code should not be greater than (512-channels), otherwise the lamp will not be controlled. The specific setting operations are described as follows:

Enter the DMX setting interface, accurately set the desired DMX address code with the "Up" or "Down" button,

Then press confirm to save the data and complete the address code setting operation

Channel mode, channel table

STANDARD (21CH) 标准模式		SHAPE(35CH) 内置形状模式		EXTENDED(42CH) 拓展RGB模式		EXTENDED RGBW (49ch) 拓展RGBW模式		FULL(63ch) 完整模式	
CH	Channel Mode	CH	Channel Mode	CH	Channel Mode	CH	Channel Mode	CH	Channel Mode
1	Red 红色	1	Red 红色	1	Red 红色	1	Red 红色	1	Red 红色
2	Red fine 红色微调	2	Red fine 红色微调	2	Red fine 红色微调	2	Red fine 红色微调	2	Red fine 红色微调
3	Green 绿色	3	Green 绿色	3	Green 绿色	3	Green 绿色	3	Green 绿色
4	Green fine 绿色微调	4	Green fine 绿色微调	4	Green fine 绿色微调	4	Green fine 绿色微调	4	Green fine 绿色微调
5	Blue 蓝色	5	Blue 蓝色	5	Blue 蓝色	5	Blue 蓝色	5	Blue 蓝色
6	Blue fine 蓝色微调	6	Blue fine 蓝色微调	6	Blue fine 蓝色微调	6	Blue fine 蓝色微调	6	Blue fine 蓝色微调
7	White 白色	7	White 白色	7	White 白色	7	White 白色	7	White 白色
8	White fine 白色微调	8	White fine 白色微调	8	White fine 白色微调	8	White fine 白色微调	8	White fine 白色微调
9	Linear CTO 色温控制	9	Linear CTO 色温控制	9	Linear CTO 色温控制	9	Linear CTO 色温控制	9	Linear CTO 色温控制
10	Macro color 颜色宏	10	Macro color 颜色宏	10	Macro color 颜色宏	10	Macro color 颜色宏	10	Macro color 颜色宏
11	Strobe 频闪	11	Strobe 频闪	11	Strobe 频闪	11	Strobe 频闪	11	Strobe 频闪
12	Dimmer 调光	12	Dimmer 调光	12	Dimmer 调光	12	Dimmer 调光	12	Dimmer 调光
13	Dimmer fine 调光微调	13	Dimmer fine 调光微调	13	Dimmer fine 调光微调	13	Dimmer fine 调光微调	13	Dimmer fine 调光微调
14	Pan 水平	14	Pan 水平	14	Pan 水平	14	Pan 水平	14	Pan 水平
15	Pan fine 水平微调	15	Pan fine 水平微调	15	Pan fine 水平微调	15	Pan fine 水平微调	15	Pan fine 水平微调
16	Tilt 垂直	16	Tilt 垂直	16	Tilt 垂直	16	Tilt 垂直	16	Tilt 垂直
17	Tilt fine 垂直微调	17	Tilt fine 垂直微调	17	Tilt fine 垂直微调	17	Tilt fine 垂直微调	17	Tilt fine 垂直微调
18	Function 功能	18	Function 功能	18	Function 功能	18	Function 功能	18	Function 功能
19	Reset 复位	19	Reset 复位	19	Reset 复位	19	Reset 复位	19	Reset 复位
20	ZOMM 调焦	20	ZOMM 调焦	20	ZOMM 调焦	20	ZOMM 调焦	20	ZOMM 调焦
21	Zoom Rotation 旋转	21	Zoom Rotation 旋转	21	Zoom Rotation 旋转	21	Zoom Rotation 旋转	21	Zoom Rotation 旋转
22	Shape selection 前层选择	22	Red Led 1 红色1	21	Red Led 1 红色1	22	Shape selection 前层选择		
23	Shape speed 前层速度	23	Green Led 1 绿色1	22	Green Led 1 绿色1	23	Shape speed 前层速度		
24	Shape fade 前层淡化	24	Blue Led 1 蓝色1	23	Blue Led 1 蓝色1	24	Shape fade 前层淡化		
25	Shape R 前层红色	24	WHITE LED 1 白色1	25	Shape R 前层红色		
26	Shape G 前层绿色	40	Red Led 7 红色7	26	Shape G 前层绿色	26	Shape G 前层绿色		
27	Shape B 前层蓝色	41	Green Led 7 绿色7	Red Led.....	27	Shape B 前层蓝色		
28	Shape W 前层白色	42	Blue Led 7 蓝色7	Green Led.....	28	Shape W 前层白色		
29	Shape Dimmer 前层调光	Blue Led.....	29	Shape Dimmer 前层调光		
30	Background Dimmer 后层	White Led.....	30	Background Dimmer 后层		
31	Shape transition 前层淡化	45	Red Led 7	31	Shape transition 前层淡化		
32	Shape offset 前层密度	46	Red Led 7 红色7	32	Shape offset 前层密度		
33	Foreground strobe 前层频	47	Green Led 7 绿色7	33	Foreground strobe 前层频		
34	Background strobe 后层频	48	Blue Led 7 蓝色7	34	Background strobe 后层频		
35	Background select 后层选	49	WHITE LED 7 白色7	35	Background select 后层选		
36	Red Led 1 红色1	36	Red Led 1 红色1		
37	Green Led 1 绿色1	37	Green Led 1 绿色1		
38	Blue Led 1 蓝色1	38	Blue Led 1 蓝色1		
39	WHITE LED 1 白色1	39	WHITE LED 1 白色1		
.....		
60	Red Led 7 红色7	60	Red Led 7 红色7		
61	Green Led 7 绿色7	61	Green Led 7 绿色7		
62	Blue Led 7 蓝色7	62	Blue Led 7 蓝色7		
63	WHITE LED 7 白色7	63	WHITE LED 7 白色7		

- 1 . Precautions for products.....
- 2 .maintenance.....
- 3 .statement.....
- 4 .technical parameter.....
- 5 .three-dimensional size.....
- 6 . Levels.....
- 7 . Menu function.....
- 8 .function button.....
- 9 .channel table.....
- 10 . Product warranty card.....

First of all, thank you! We have purchased the new, stable and durable LED lamps in the current market. Before the market, our company has developed, analyzed and designed this product for many years, and passed comprehensive quality control in the production process to ensure the excellent quality and stability of the product. So feel free to use; before using the lamp, please read the instructions carefully containing important information such as safety instructions and maintenance; and

teach you how to maximize the effect of the lamp. Each of our lamps was rigorously tested before shipment. Please check the carton or air box before unpacking for packaging damage during transportation. If any damage is found, please check your lamps and accessories for abnormalities. If the lights are damaged or accessories are lost, please contact your dealer.

- After unpacking, the accessories for each lamp shall be:
- | | |
|-------------------------------------|----------------|
| 2 . Insurance | a |
| 1 . One power cord | 4 rope |
| 2 . A three-core signal line is one | 4 instructions |
| 5 . Two suspension Bridges | 6 a sheet |
| | 6 certificate |

For optional accessories such as air boxes and light hooks, please contact your dealer

Precautions for products

1. In order to ensure the service life of the product, this product should not be placed in a wet or leaky place. The highest working environment temperature should not exceed 40° , and the lowest temperature should not be lower than-5°
2. Do not place the product in a place that is easy to loosen or vibrate.
3. In order to avoid the danger of electric shock, please ask professionals for the maintenance of this product.
4. When the lamps are used, the change of the power supply voltage shall not exceed $\pm 10\%$.
5. The lamps are designed according to the type of electric shock protection, and the lamps should be connected with the power supply system with full grounding. And the earth line of the lamps must be connected with the earth line of the power supply system, and the earth sign of the metal shell of the lamps should be safely connected with the installation of the lamp frame.
6. please do not look at the light source, its damage to the eye omentum may lead to visual blindness
7. Check whether the voltage, frequency and other electrical data of the power supply line of the lamps are consistent with the voltage and frequency parameters marked by the lamps, so as to avoid voltage inconsistency and burn out the lamps.

maintenance

1. The lamp should be kept dry to avoid working in a wet environment.
2. the use of flash will effectively extend the life of the lamp.

3. In order to obtain good ventilation effect and lighting effect, attention should be paid to the frequent cleaning of fans, fan nets and lenses. Do not wipe the shell of lamps with organic solution such as sprinkling essence to avoid damage.

statement

This product in the factory, the performance is intact, complete packaging. All users shall strictly comply with the warnings and operating instructions stated above, any damage caused by misuse is not covered by the Company's warranty and the faults and problems caused by the neglect of the operating manual

Note: Based on our policy of continuous product improvement, the data contained in this specification may change in the future and no further notice will be given. The Company reserves the right to change the relevant specification data during the product improvement.

The publisher of this package insert will not bear any responsibility for the related consequences arising as a result of this information.

technical parameter

source

Input voltage: AC90-260V, 50 / 60Hz

Complete machine power: 350W

illuminant

Light bead: Osram 40W LED light bead RGBW four in one

Number of lamp beads: 7 LED can be a single monochrome point control

Pearl life: 50,000 hours

Color temperature is 2500K-9000K

effect

Zoom range: 4-60°, 18000lux@5m@ minimum Angle

With dyeing, beam, graphics, special effects

The front mirror plate can be bidirectional fast / slow infinite rotation

With the vortex, kaleidoscope, small pretty waist and other classic effect

Built-in rich effect program

40100% linear dimming modes

2 color-switching modes (RGBW / CMY)

Strobe slowest: 1 time / second, fastest: 25 times / second

control model

Rotation angle of the XY axis: 540 / 270°

Control mode: DMX512 / RDM /

DMX, channel number: 21 / 35 / 78 / 92 / 97

DMX signal interface: 3-core optional network port input and output

Net weight: 22kg

Carton packaging (1 pack 1):

size:

tare:

Air packing (1 pack 2):

size:

tare:

Lighting installation

Note: During the installation test, pedestrians should not pass under the lamp.

In the light fixtures

Before positioning and installation, ensure that the installation point (object) is at least able to withstand the weight of the product

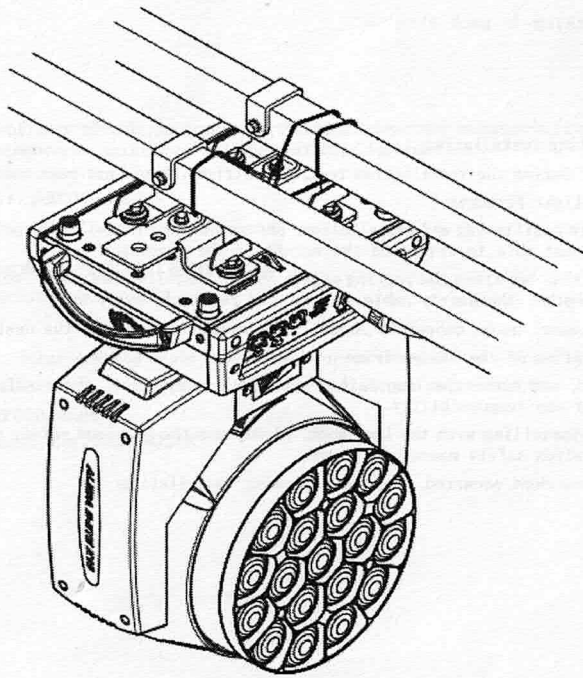
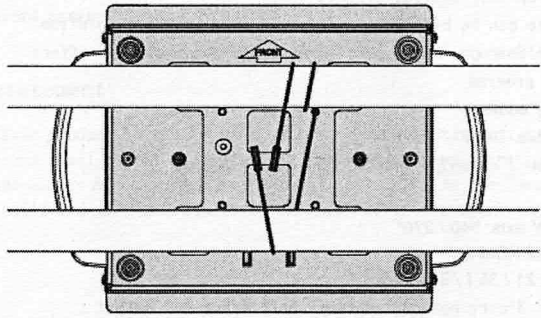
More than ten times the bearing capacity. The installed lamps and lanterns should check whether the safety cable is sent out regularly every week

Now wear, hook, hanger is loose. This happens because of the unstable installation of the bridge frame

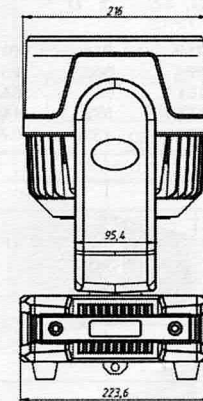
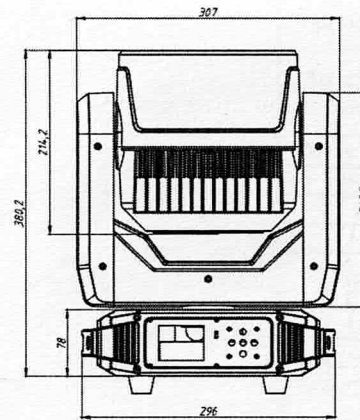
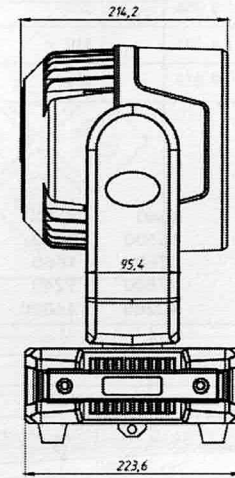
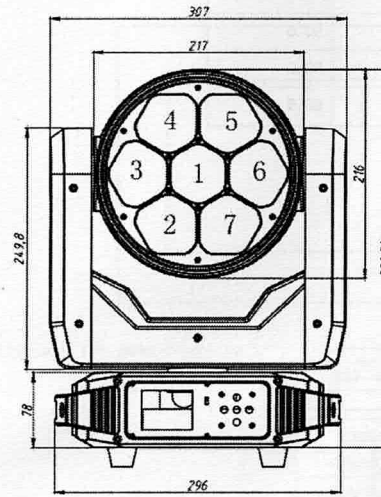
Solid, and cause the lamp fall of all the consequences, the manufacturer does not bear any responsibility.

When installing with the lamp hook, please use the previous safety cable as the installation safety measure to avoid

The accident occurred. See the following installation



3 D size diagram

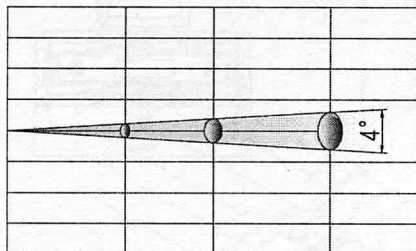


electrical parameter

voltage (V)	current (A)	power (W)	Power factor (PF)	Frequency (HZ)
240.0	3.956	320	0.969	50.0
220.3	4.271	310	0.968	50.0
120.6	7.819	350	1.000	60.0

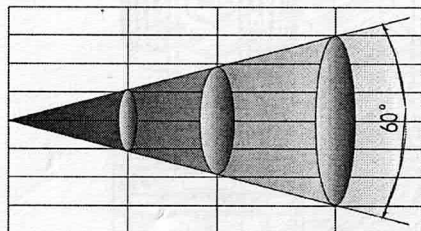
Levels

R (Lux)	8640	3240	996
G (Lux)	15600	5160	1560
B (Lux)	5760	1560	360
W (Lux)	27600	9240	2640
RGBW (Lux)	43200	16800	5280



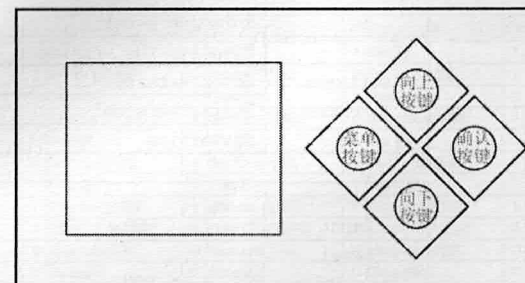
投射距离 (M)	3	5	10
光斑直径 (M)	0.46	1.0	2.0

R (Lux)	310	216	60
G (Lux)	594	360	96
B (Lux)	151	96	36
W (Lux)	1164	672	444
RGBW (Lux)	2701	1320	276



投射距离 (M)	3	5	10
光斑直径 (M)	2.1	3.2	5.6

Display the function diagram of the panel keys



Displays the menu function

Address setting	001 - 512	
Lighting setting	channel pattern	21CH /35CH/42CH/49CH /63CH
	running mode	DMX / go
	Horizontal reversal	On / off
	Vertical reversal	On / off
	Fan control	Silent / low / medium / high speed
	The dimming curve	Linear / backfinger curve / forward finger curve / S curve
Quick light	On / off	
No DMX status	Clear-up / hold	
manual control	red	000 - 255
	Red fine tuning	000 - 255
	green	
	Green fine-tuning	
.....	
temporal information	available machine time	
	total time	
	Boot number	

primary menu

Lighting information	Sensing detection	Horizontal sensing
		Vertical sensing
software release		Focal sensing
		Rotation sensing
		Displays the version
		Motor version
		Tuning version
		netversion

Factory setting	Password input level	000 - 255
	correction	000 - 255
	Vertical correction	000 - 255
	Amplification correction	000 - 255
	Amplification rotation	000 - 255
	Red correction	000 - 255

Lamps reset	Motor reset	Execute / cancel
	Factory setting	Execute / cancel

Display settings	Language setting	The Chinese / English language
	Displays the reversal	Normal / reversed
	Display mode	30s / bright

The DMX address setting

Address code should not be greater than (512-channels), otherwise the lamp will not be controlled. The specific setting operations are described as follows:

Enter the DMX setting interface, accurately set the desired DMX address code with the "Up" or "Down" button,

Then press confirm to save the data and complete the address code setting operation

Channel mode, channel table

STANDARD (21CH) 标准模式		SHAPE(35CH) 内窗形状模式		EXTENDED(42CH) 拓展RGB模式		EXTENDED RGBW (49ch) 拓展RGBW模式		FULL(63ch) 完整模式	
CH	Channel Mode	CH	Channel Mode	CH	Channel Mode	CH	Channel Mode	CH	Channel Mode
1	Red 红色	1	Red 红色	1	Red 红色	1	Red 红色	1	Red 红色
2	Red fine 红色微调	2	Red fine 红色微调	2	Red fine 红色微调	2	Red fine 红色微调	2	Red fine 红色微调
3	Green 绿色	3	Green 绿色	3	Green 绿色	3	Green 绿色	3	Green 绿色
4	Green fine 绿色微调	4	Green fine 绿色微调	4	Green fine 绿色微调	4	Green fine 绿色微调	4	Green fine 绿色微调
5	Blue 蓝色	5	Blue 蓝色	5	Blue 蓝色	5	Blue 蓝色	5	Blue 蓝色
6	Blue fine 蓝色微调	6	Blue fine 蓝色微调	6	Blue fine 蓝色微调	6	Blue fine 蓝色微调	6	Blue fine 蓝色微调
7	White 白色	7	White 白色	7	White 白色	7	White 白色	7	White 白色
8	White fine 白色微调	8	White fine 白色微调	8	White fine 白色微调	8	White fine 白色微调	8	White fine 白色微调
9	Linear CTO 色温控制	9	Linear CTO 色温控制	9	Linear CTO 色温控制	9	Linear CTO 色温控制	9	Linear CTO 色温控制
10	Macro color 颜色宏	10	Macro color 颜色宏	10	Macro color 颜色宏	10	Macro color 颜色宏	10	Macro color 颜色宏
11	Strobe 频闪	11	Strobe 频闪	11	Strobe 频闪	11	Strobe 频闪	11	Strobe 频闪
12	Dimmer 调光	12	Dimmer 调光	12	Dimmer 调光	12	Dimmer 调光	12	Dimmer 调光
13	Dimmer fine 调光微调	13	Dimmer fine 调光微调	13	Dimmer fine 调光微调	13	Dimmer fine 调光微调	13	Dimmer fine 调光微调
14	Pan 水平	14	Pan 水平	14	Pan 水平	14	Pan 水平	14	Pan 水平
15	Pan fine 水平微调	15	Pan fine 水平微调	15	Pan fine 水平微调	15	Pan fine 水平微调	15	Pan fine 水平微调
16	Tilt 垂直	16	Tilt 垂直	16	Tilt 垂直	16	Tilt 垂直	16	Tilt 垂直
17	Tilt fine 垂直微调	17	Tilt fine 垂直微调	17	Tilt fine 垂直微调	17	Tilt fine 垂直微调	17	Tilt fine 垂直微调
18	Function 功能	18	Function 功能	18	Function 功能	18	Function 功能	18	Function 功能
19	Reset 复位	19	Reset 复位	19	Reset 复位	19	Reset 复位	19	Reset 复位
20	ZOMM 调焦	20	ZOMM 调焦	20	ZOMM 调焦	20	ZOMM 调焦	20	ZOMM 调焦
21	Zoom Rotation 旋转	21	Zoom Rotation 旋转	21	Zoom Rotation 旋转	21	Zoom Rotation 旋转	21	Zoom Rotation 旋转
22	Shape selection 前层选择	22	Red Led 1 红色1	21	Red Led 1 红色1	22	Shape selection 前层选择		
23	Shape speed 前层速度	23	Green Led 1 绿色1	22	Green Led 1 绿色1	23	Shape speed 前层速度		
24	Shape fade 前层淡化	24	Blue Led 1 蓝色1	23	Blue Led 1 蓝色1	24	Shape fade 前层淡化		
25	Shape R 前层红色	24	WHITE LED 1 白色1	25	Shape R 前层红色		
26	Shape G 前层绿色	40	Red Led 7 红色7	26	Shape G 前层绿色	26	Shape G 前层绿色		
27	Shape B 前层蓝色	41	Green Led 7 绿色7	Red Led.....	27	Shape B 前层蓝色		
28	Shape W 前层白色	42	Blue Led 7 蓝色7	Green Led.....	28	Shape W 前层白色		
29	Shape Dimmer 前层调光	Blue Led.....	29	Shape Dimmer 前层调光		
30	Background Dimmer 后层	White Led.....	30	Background Dimmer 后层		
31	Shape transition 前层淡化	45	Red Led 7	31	Shape transition 前层淡化		
32	Shape offset 前层密度	46	Red Led 7 红色7	32	Shape offset 前层密度		
33	Foreground strobe 前层频	47	Green Led 7 绿色7	33	Foreground strobe 前层频		
34	Background strobe 后层频	48	Blue Led 7 蓝色7	34	Background strobe 后层频		
35	Background select 后层选	49	WHITE LED 7 白色7	35	Background select 后层选		
36	Red Led 1 红色1	36	Red Led 1 红色1		
37	Green Led 1 绿色1	37	Green Led 1 绿色1		
38	Blue Led 1 蓝色1	38	Blue Led 1 蓝色1		
39	WHITE LED 1 白色1	39	WHITE LED 1 白色1		
.....		
60	Red Led 7 红色7	60	Red Led 7 红色7		
61	Green Led 7 绿色7	61	Green Led 7 绿色7		
62	Blue Led 7 蓝色7	62	Blue Led 7 蓝色7		
63	WHITE LED 7 白色7	63	WHITE LED 7 白色7		